

FBI RS-232

RS-232 User Port  
Interface for  
Commodore 64/128  
computers

Users Guide

Rev1A

## Introduction

The FBULRS-232 interface is supplied with the features outlined in Figure 1 below.

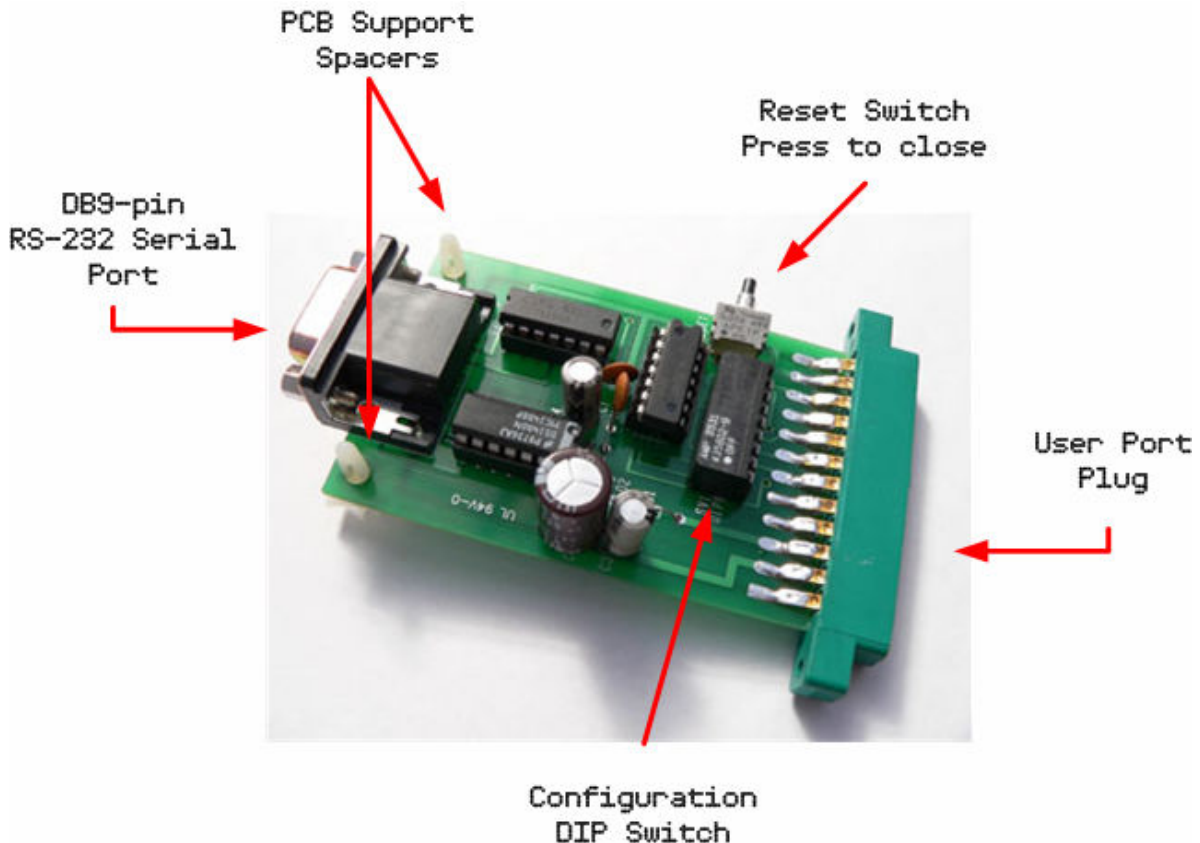


Figure 1: Top view of FBULRS-232 Interface

The FBULRS-232 is compatible with both Commodore 64 and Commodore 128 computers. It's designed to support various configuration modes using an 8-way DIP switch which allows individual selection of lines like DSR, DTR, RTS and CTS.

Speeds of 9600 baud are supported when used in UP9600 mode with Novaterm 9.6

## DIP Switch

The FBULRS-232 interface includes an 8 pin DIP switch that can be used to reconfigure the device in order to support various Commodore terminal software applications.

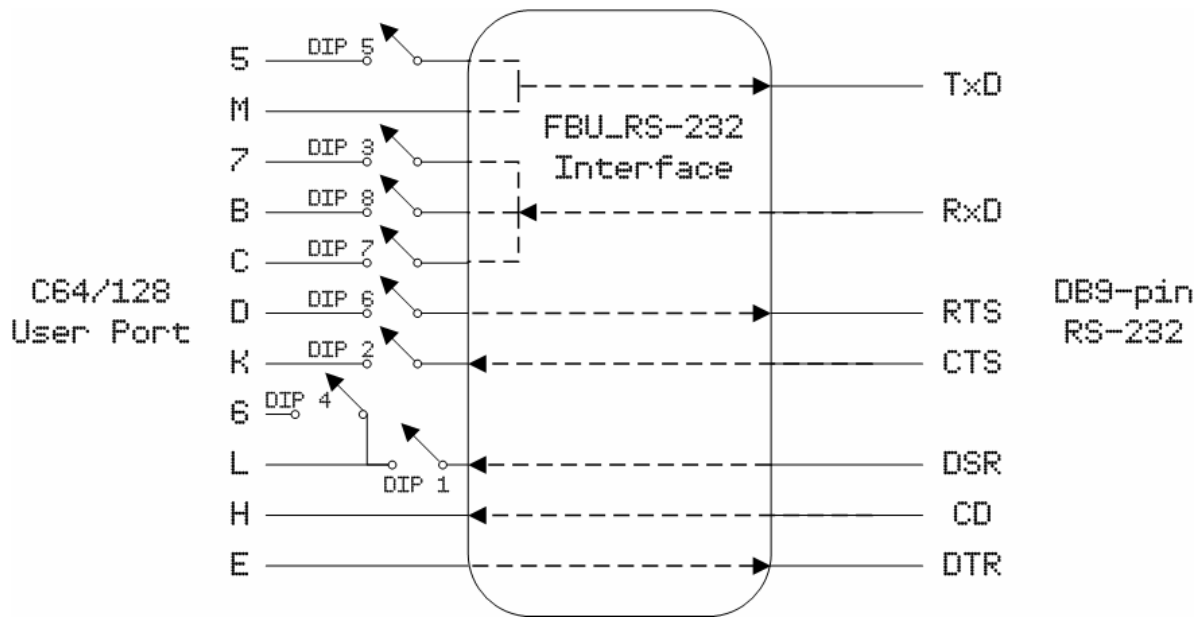


Figure 2: Logic diagram of FBU\_RS-232 Interface

DIP Switch	Novaterm 9.6 UP9600	Simple RS-232 with CTS/RTS	Simple RS-232 without CTS/RTS
PIN 1	ON - Down	ON - Down	ON - Down
PIN 2	ON - Down	ON - Down	OFF - Up
PIN 3	ON - Down	OFF - Up	OFF - Up
PIN 4	ON - Down	OFF - Up	OFF - Up
PIN 5	ON - Down	OFF - Up	OFF - Up
PIN 6	ON - Down	ON - Down	OFF - Up
PIN 7	ON - Down	ON - Down	ON - Down
PIN 8	ON - Down	ON - Down	ON - Down

Table 1: Logic diagram of FBU\_RS-232 Interface

DO NOT change the DIP switch settings when the Commodore computer is powered on. Always turn the computer OFF before selecting the required configuration.

### Commodore 128 mode

The FBU\_RS-232 has been designed so that it's compatible with both Commodore 64 and Commodore 128 computers.

However, when used with a C128 or C128D in native 128 mode (e.g. with DesTerm 128) DIP switch pin number 4 must always be in the OFF position. This is not required when booting the C128 into C64 mode (e.g. using Novaterm 9.6).

## **Reset Switch**

The FBULRS-232 interface includes a reset switch. A reset of the computer is performed by depressing the button on this switch. Please note that some programs may prevent the computer from being reset using this switch.

## **Installation and Setup**

The FBULRS-232 interface comes fully assembled and ready for connection to your computer.

1. Turn your computer off before installing the FBULRS-232 into your computer's user port. To avoid damaging your Commodore computer, DO NOT insert any user port interfaces when the computer power is on.
2. Configure the DIP switch settings for the desired configuration as indicated in table 1.
3. Plug the FBULRS-232 interface into the user port. Ensure that the FBULRS-232 interface is fully inserted into the Commodore user port with the top side being upright as shown in figure 1.
4. Connect the modem or RS-232 9-pin serial cable into the DB9-pin plug of the FBULRS-232 interface.

## **Troubleshooting**

If there's no display or a blank black screen when powering on the Commodore computer with the FBULRS-232 interface installed, please check the following:

1. Was the FBULRS-232 interface inserted correctly into the Commodore user port? Turn the computer off. Reinsert the FBULRS-232 interface as per the instructions included in the Installation and Setup section of this User Guide.
2. If using a C128 or C128D in native 128 mode, please refer to the Commodore 128 mode section of this Users Guide.

**Many thanks for purchasing this product. Enjoy!**